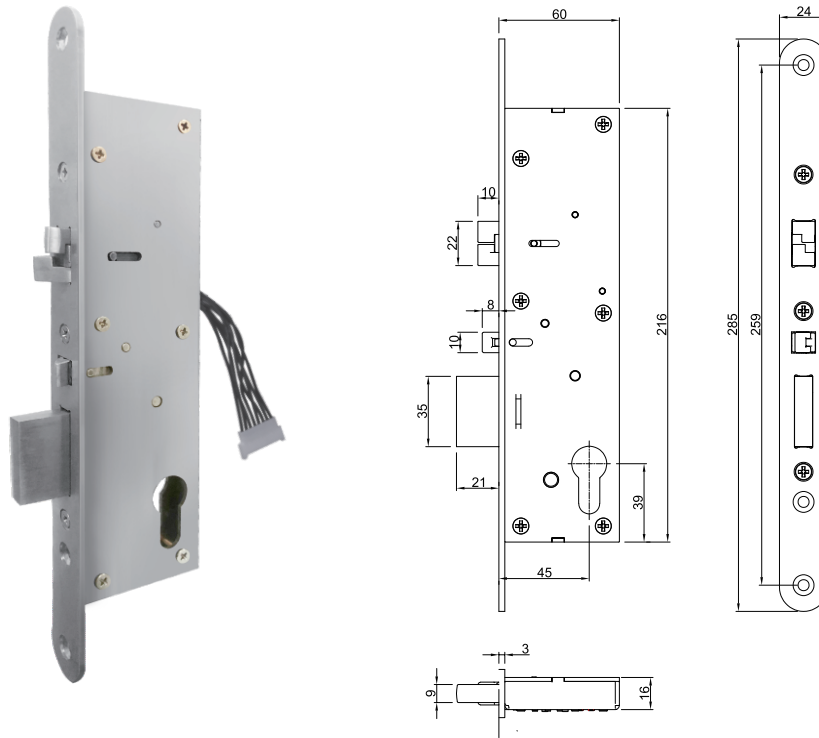


45D-TM

马达电控锁体

Motor Electrified Lock



- 执行标准：机械性能通过欧洲EN12209-2016, 20万次开启标准
逃生性能通过欧洲EN179:2008
- 信号输出：常开C/NO,常闭C/NC
- 开锁状态：断电开锁
- 工作电压：12V-24V
- 工作电流：运行0.3A,待机0.1A
- 额定功率：12.5W
- 耐压电流：1A
- 寿命：30万次
- 适用门厚：标准门厚45-50mm, 选配门厚51-70mm
- 表面处理：SS, PVD, PS
- Compliance with: EN12209:2016+ EN179, 200,000 life cycle
EN1634-1:2012, 4 hours fire rated
- Signature output: C/NO, C/NC
- Locked status: motor lock/unlock
- Input volt: 12V
- Current: Max 0.3A, idle 0.1A
- Power ratings: 12.5w
- Voltage current: 1A
- Cycles: 300,000
- Suitable door thickness: 45-50mm
- Optional door thickness: 51-70mm
- Finish: SS, PVD, PS

- 方向开启:不分左右开启
- 适用门型:木质门或者金属门
- 适用区域:高保安的公共场所
- 可纳入美标/欧标混合总钥匙系统
- Non handed
- Fit for metal and wooden door
- Application to the public building with high security
- Master key with ANSI/BHMA cylinder is available